

Schlüter®-Systems

Supplementary Price List Spring 2025

Ireland · Effective 1st February 2025



2025



Schlüter®-KERDI-BOARD-W

Individual, flexible vanity solution
for wall fitted or vanity fitted mixer taps

- ✓ Prefabricated vanity unit element made of KERDI-BOARD
- ✓ Set includes waterproofing components
- ✓ Ready for tiling
- ✓ Lightweight – easy handling
- ✓ Individually customisable
- ✓ 1¼" connection thread to fit commercially available traps
- ✓ Matches KERDI-LINE-VARIO profiles
- ✓ Floating installation feasible with optional wall fixed vanity units
- ✓ New drainage profile design INCOVE
- ✓ New WASHBASINPROFILE triangular profiles



Vanity set

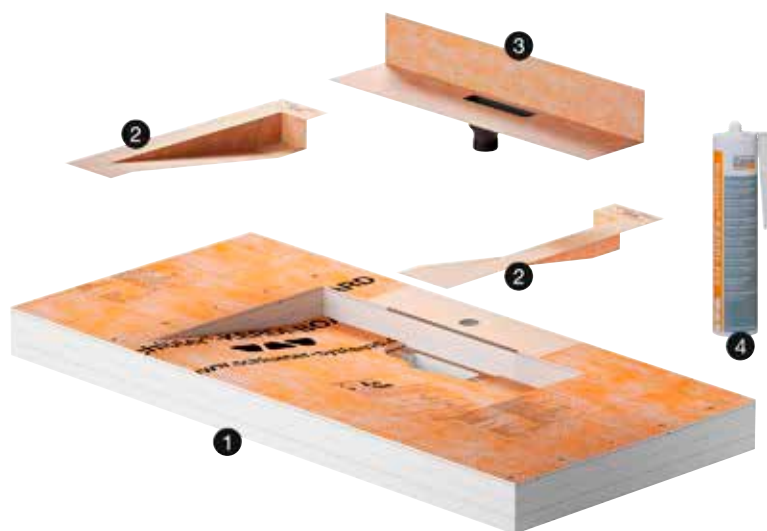
Schlüter®-KERDI-BOARD-W



The vanity is a special eye-catcher in the bathroom. Whether floating or supported, in a niche or prominently placed in the space, with wall fitted or vanity fitted monobloc mixer tap, all variants can be created with Schlüter-KERDI-BOARD-W.

The set can be individually cut to size and tiled to specifications. It includes all the components you need for building: the vanity unit made of KERDI-BOARD, matching prefabricated elements, a drain adapter with a 1¼" connection thread for commercially available traps and a cartridge of the KERDI-FIX sealing adhesive. The drain adapter features a permanently integrated elasticated KERDI waterproofing collar that guarantees secure connection to the units and the wall. Wall fixed vanity units are optionally available for floating installation. Triangular profiles and KERDI-LINE-VARIO drainage profiles to match the covering of the vanity unit can be ordered separately. The drainage profiles can be individually cut to size and are height-adjustable. They ship with two matching end caps (see product data sheet 8.10).

(Product data sheet 12.3)

**Set includes:**

- 1 prefabricated vanity unit made of KERDI-BOARD, including permanently integrated reinforcement plate for attaching a monobloc mixer tap
- 2 KERDI-KERS corner pieces (right and left)
- 3 drain adapter with 1¼" connection thread, incl. KERDI waterproofing collar
- 4 cartridge of KERDI-FIX

Schlüter®-KERDI-BOARD-WS



prefabricated vanity unit incl. corner seal and drain adapter with a permanently integrated waterproofing collar – monobloc mixer tap to be fitted to vanity unit

B x H x T (mm)	Art. No.	€ / Set	PL (Set)
1170 x 85 x 550	KB W 550 1170 SL V1	540.00	10

Note:

The KERDI-BOARD-WS vanity unit can only be combined with our drainage profiles KERDI-LINE-VARIO COVE and WAVE or the new drainage profile KERDI-BOARD-WDP (see next page).

Console set

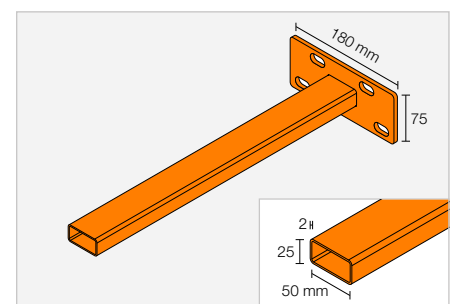
Schlüter®-KERDI-BOARD-AB

console set for floating wall attachment of the vanity unit, incl. mounting materials

B x H x T (mm)	Art. No.	€ / Set	PL (Set)
450 x 75 x 180	KB W AB 450	131.20	10

Set includes:

- 2 consoles
- Mounting material
- Drilling template





Triangular profile

Schlüter®-WASHBASINPROFILE-WS



Schlüter-WASHBASINPROFILE-WS are triangular profiles with a 9% slope for covering the sloped sides of the vanity unit KERDI-BOARD-WS. The set also comes with a decor profile to cover the back face of the vanity unit. The profiles are available in brushed stainless steel as well as in colour coated or textured aluminium. (Product data sheet 12.3)

Schlüter®-WASHBASINPROFILE-WS

triangular profiles (L = 38 cm) right and left, including decor profile (59.5 cm) to match the KERDI-BOARD-WS vanity unit

Material	Art. No.	€ / Set	P (Set)
Brushed stainless steel V4A	KB WAS R2 EB	155.00	10
Colour coated aluminium	KB WAS R2 ...*	130.00	10
Textured coated aluminium	KB WAS R2 ...**	135.00	10

To complete the art. no., add the finish/colour (e.g. KB WAS R2 MGS)

* Finishes/colours: MBW - MGS

** Finishes/colours:

TSBG - TSC - TSDA - TSG - TSI - TSOB - TSSG

Available finishes | colours



For an overview of finishes and colours, please see page 22.

Drainage profile

Schlüter®-KERDI-BOARD-WDP



Schlüter-KERDI-BOARD-WDP is a drainage profile that is integrated into the KERDI-BOARD-WS vanity unit as a shadow joint. It is made of brushed stainless steel V4A and creates the drainage opening (140 mm) on the back face of the vanity unit (rather than on the base). The drainage profile comes with two additional end caps. (Product data sheet 12.3)



Schlüter®-KERDI-BOARD-WDP

drainage profile, design INCOVE (D 15), to match the KERDI-BOARD-WS vanity unit

Material	Art. No.	€ / Set	P (Set)
Brushed stainless steel V4A	KB WL D15 EB 60	195.00	10

Note:

The KERDI-BOARD-WDP drainage profile can not be used in combination with the WASHBASINPROFILE-WS and -WW triangular profiles.

Triangular profile

Schlüter®-WASHBASINPROFILE-WW



Schlüter-WASHBASINPROFILE-WW are triangular profiles with a 7.5% slope for covering the sloped sides of the vanity unit KERDI-BOARD-WW. The profiles are available in brushed stainless steel as well as in colour coated or textured aluminium. (Product data sheet 12.3)

i
The Schlüter-KERDI-BOARD-WW vanity can be found in the illustrated price list PS 25 on page 269.

Schlüter®-WASHBASINPROFILE-WW 

triangular profiles (L = 45 cm) right and left, to match the KERDI-BOARD-WW vanity unit

Material	Art. No.	€ / Set	P (Set)
Brushed stainless steel V4A	KB WAS R1 EB	98.50	10
Colour coated aluminium	KB WAS R1 ...*	80.00	10
Textured coated aluminium	KB WAS R1 ...**	85.00	10

To complete the art. no., add the finish/colour (e.g. KB WAS R1 MGS)

* Finishes/colours: MBW - MGS

** Finishes/colours:

TSBG - TSC - TSDA - TSG - TSI - TSOB - TSSG

Available finishes | colours



For an overview of finishes and colours, please see page 22.



Schlüter®-DESIGN-NICHE

Stylish, bespoke design

The new powder coated niches offer visually appealing storage and design options that are both flexible and convenient – not just in bathrooms.

- ✓ System combines adaptability, flexibility and design
- ✓ High quality powder coating in five TRENDLINE colours
- ✓ Adjustable frame: design can be flush with the backsplash or protruding
- ✓ Suitable for tile thicknesses
- ✓ Three different sizes
- ✓ For vertical or horizontal installation
- ✓ Low weight
- ✓ Easy to install
- ✓ Suited for all wall types



Niche

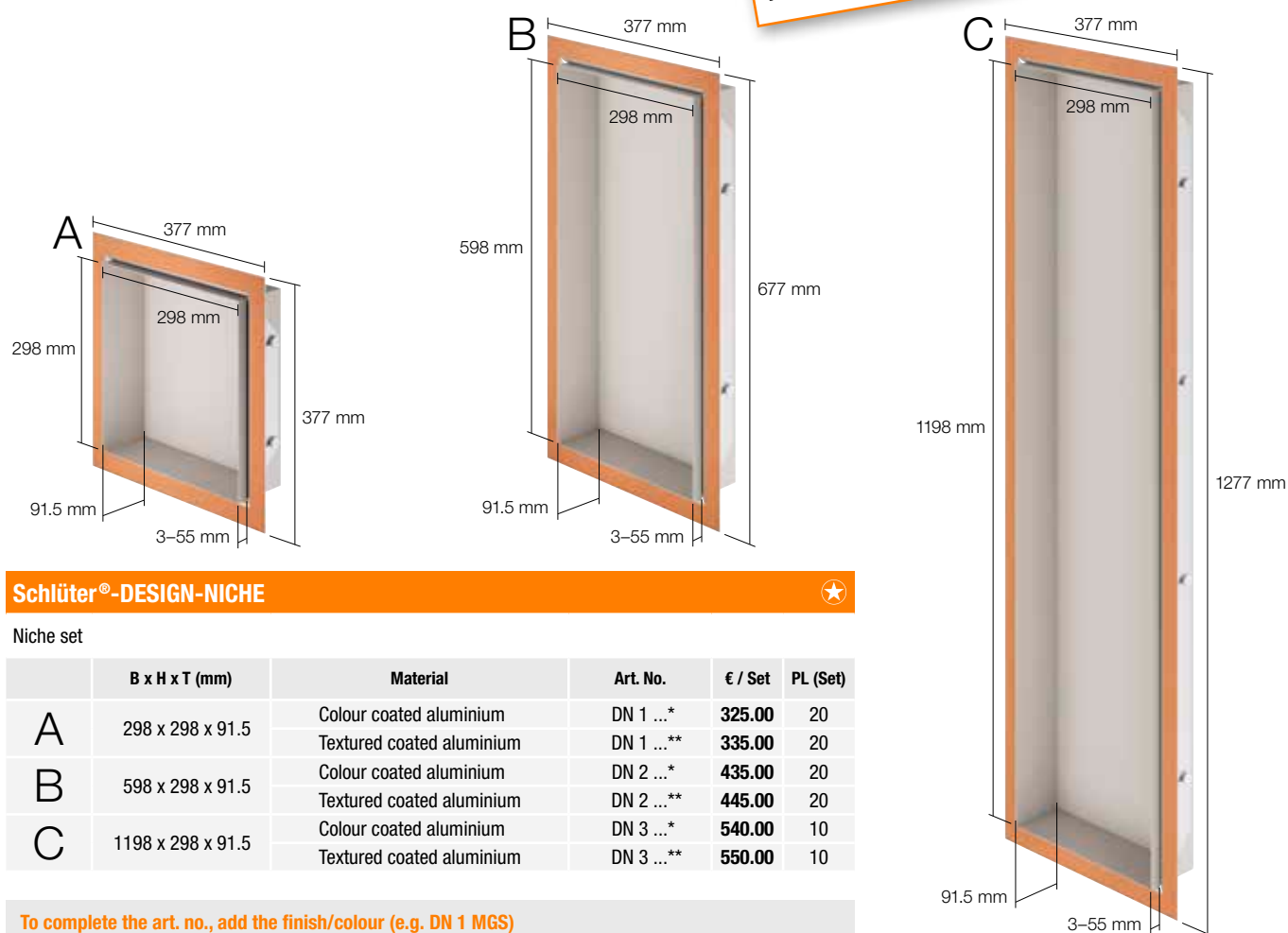
Schlüter®-DESIGN-NICHE



Schlüter-DESIGN-NICHE are pre-fabricated niches made of powder coated aluminium with height adjustable frame for creating attractive and practical wall storage. The set includes a KERDI sealing collar for reliable waterproofing. The rectangular niches are available in three different dimensions and five TRENDLINE colours and can be installed either vertically or horizontally. All niches ship with a height adjustable anodised aluminium frame, a prefabricated KERDI sealing collar and KERDI-FIX sealing adhesive.
(Product data sheet 17.2)

i
Available from April 2025

Dimensions of niches



Schlüter®-DESIGN-NICHE



Niche set

	B x H x T (mm)	Material	Art. No.	€ / Set	PL (Set)
A	298 x 298 x 91.5	Colour coated aluminium	DN 1 ...*	325.00	20
		Textured coated aluminium	DN 1 ...**	335.00	20
B	598 x 298 x 91.5	Colour coated aluminium	DN 2 ...*	435.00	20
		Textured coated aluminium	DN 2 ...**	445.00	20
C	1198 x 298 x 91.5	Colour coated aluminium	DN 3 ...*	540.00	10
		Textured coated aluminium	DN 3 ...**	550.00	10

To complete the art. no., add the finish/colour (e.g. DN 1 MGS)

* Finishes/colours: MBW - MGS

** Finishes/colours: TSBG - TSDA - TSI

Available finishes | colours



For an overview of finishes and colours, please see page 22.



TRENDLINE colours

Now in a complete bathroom

- ✓ Choice of nine TRENDLINE colours
- ✓ Perfectly matches shelves, profiles and design grates
- ✓ High quality textured coating
- ✓ Unlimited combination options
- ✓ Design options with blended aesthetic or deliberate contrasts
- ✓ Matching the latest tiling trends





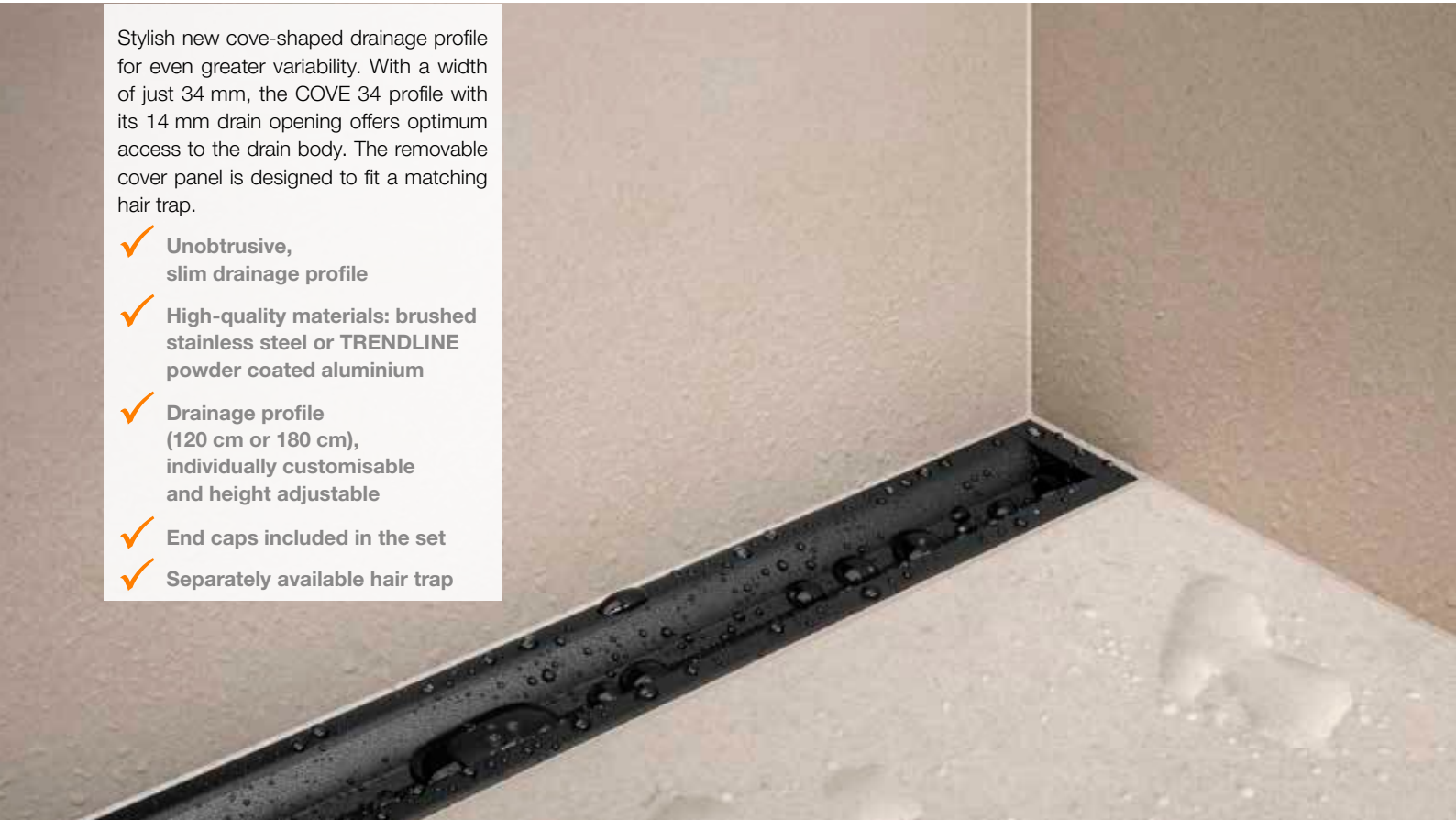


Schlüter®-KERDI-LINE-VARIO COVE 34

Elegant drain

Stylish new cove-shaped drainage profile for even greater variability. With a width of just 34 mm, the COVE 34 profile with its 14 mm drain opening offers optimum access to the drain body. The removable cover panel is designed to fit a matching hair trap.

- ✓ Unobtrusive, slim drainage profile
- ✓ High-quality materials: brushed stainless steel or TRENDLINE powder coated aluminium
- ✓ Drainage profile (120 cm or 180 cm), individually customisable and height adjustable
- ✓ End caps included in the set
- ✓ Separately available hair trap



Drainage profile

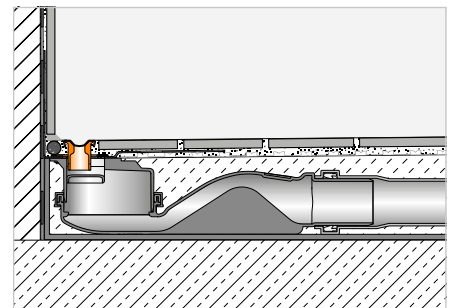
Schlüter®-KERDI-LINE-VARIO COVE



Schlüter-KERDI-LINE-VARIO COVE 34 is a cove-shaped drainage profile, which can be cut to size, for use with a Schlüter-KERDI-LINE-VARIO-H body. It is available in either brushed stainless steel V4A (material no. 1.4404 = AISI 316L) or aluminium with high quality powder coating.

A 14 mm drain opening allows water to flow into the drain. This drain is elegantly concealed by a removable cover panel. The drainage profile is supplied with two matching end caps. The installation height can be adjusted to the thickness of the floor covering by use of thin-bed mortar. This profile supports the use of wheelchairs in showers.

(Product data sheet 8.10)

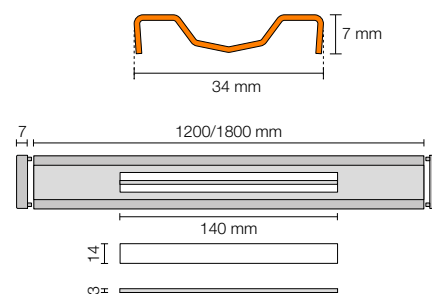


i
Only suitable for use with the Schlüter-KERDI-LINE-VARIO-H drain body. Two end caps are included in the set.

Schlüter®-KERDI-LINE-VARIO COVE 34 ★

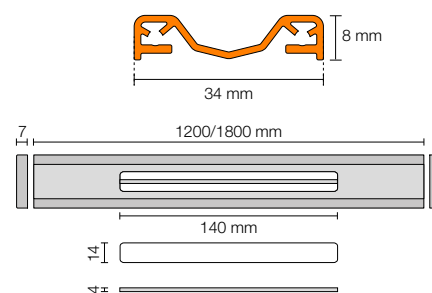
drainage profile, COVE design (D 9), brushed stainless steel V4A

L (cm)	H = 7 mm Art. No.	€ / Set	P (Set)
120	KL VR1 D9 EB 120	268.00	10
180	KL VR1 D9 EB 180	308.00	10

**Schlüter®-KERDI-LINE-VARIO COVE 34** ★

drainage profile, COVE design (D 9), textured aluminium

L (cm)	H = 8 mm Art. No.	€ / Set	P (Set)
120	KL VR1 D9 ...* 120	199.00	10
120	KL VR1 D9 ...** 120	194.00	10
180	KL VR1 D9 ...* 180	224.00	10
180	KL VR1 D9 ...** 180	219.00	10



Suitable for covering thicknesses of 6–15 mm (with DITRA or DITRA-HEAT) and 6–12 mm (with DITRA-HEAT-DUO).

In conjunction with the frame extension KL VR DSE 14, suitable for covering thicknesses up to 25 mm (with DITRA or DITRA-HEAT) and up to 22 mm (with DITRA-HEAT-DUO); see Illustrated Price List PS 25 on page 206.

To complete the art. no., add the finish/colour (e.g. KL VR1 D9 TSOB 120)

* Finishes/colours: TSBG - TSC - TSDA - TSG - TSI - TSOB - TSSG

** Finishes/colours: MBW - MGS

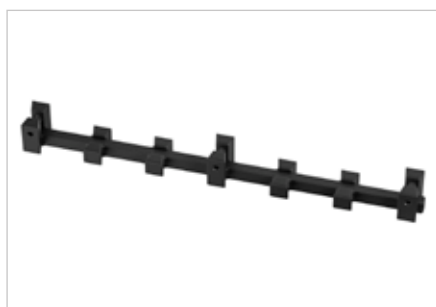
i
The full product line can be found in the illustrated price list PS 25 on page 205.

Available finishes | colours



For an overview of finishes and colours, please see page 22.

Hair trap

Schlüter®-KERDI-LINE-VARIO-S

Schlüter-KERDI-LINE-VARIO-S 14 is an optionally available hair trap for the COVE 34 profile series, which in addition to its primary function also reliably prevents small parts such as jewellery from being flushed down the drain.

(Product data sheet 8.10)

Schlüter®-KERDI-LINE-VARIO-S 14 ★

hair trap for KERDI-LINE-VARIO COVE 34

Art. No.	€ / U.	P (Unit)
KL VR S 14	15.50	10

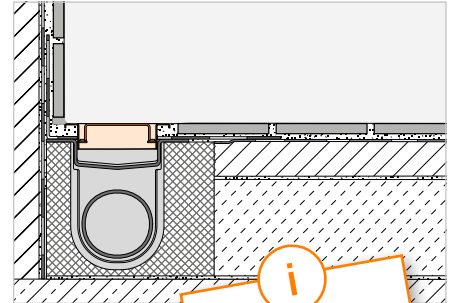


Grate and frame combination

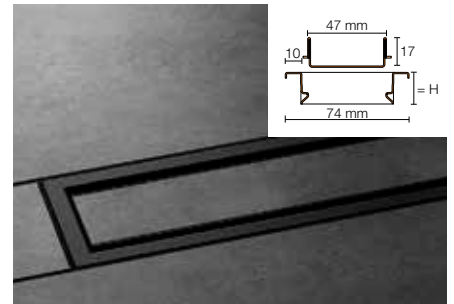
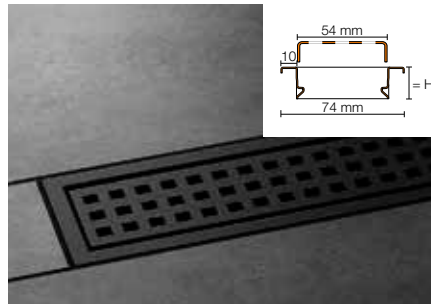
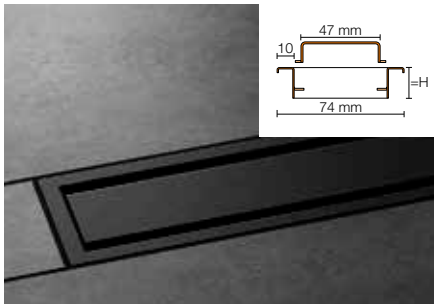
Schlüter®-KERDI-LINE-A/-B/-C



Schlüter-KERDI-LINE are profile frames made of brushed, polished or powder coated stainless steel with classic grate covers that match KERDI-LINE channel bodies. The profile frames are seamlessly height adjustable to accommodate covering materials in thicknesses from 3 to 25 mm. The covers are available in the design variants SOLID (A), SQUARE (B) and FRAMED TILE (C).
(Product data sheet 8.7)



i
Now available in
TRENDLINE colours!



Schlüter®-KERDI-LINE-A



design SOLID, 19 mm frame, colour coated stainless steel V4A

L (cm)	H = 19 mm Art. No.	€ / Set	P (Set)
50	KLA 19 ...* 50	319.48	10
60	KLA 19 ...* 60	328.01	10
70	KLA 19 ...* 70	336.30	10
80	KLA 19 ...* 80	344.80	10
90	KLA 19 ...* 90	353.14	10
100	KLA 19 ...* 100	361.44	10
110	KLA 19 ...* 110	370.29	10
120	KLA 19 ...* 120	378.85	10

Note:

H = 19 mm for covering thicknesses 3–15 mm

To complete the art. no., add the colour (e.g. KLCA 19 TSOB 50)

* Finishes/colours: MBW - MGS

** Finishes/colours: TSBG - TSC - TSDA - TSG - TSI - TSOB - TSSG

Schlüter®-KERDI-LINE-B



design SQUARE, 19 mm frame, colour coated stainless steel V4A

L (cm)	H = 19 mm Art. No.	€ / Set	P (Set)
50	KLB 19 ...* 50	319.48	10
60	KLB 19 ...* 60	328.01	10
70	KLB 19 ...* 70	336.30	10
80	KLB 19 ...* 80	344.80	10
90	KLB 19 ...* 90	353.14	10
100	KLB 19 ...* 100	361.44	10
110	KLB 19 ...* 110	370.29	10
120	KLB 19 ...* 120	378.85	10

Schlüter®-KERDI-LINE-C



design FRAMED TILE, 19 mm frame, colour coated stainless steel V4A

L (cm)	H = 19 mm Art. No.	€ / Set	P (Set)
50	KLCA 19 ...* 50	319.48	10
60	KLCA 19 ...* 60	328.01	10
70	KLCA 19 ...* 70	336.30	10
80	KLCA 19 ...* 80	344.80	10
90	KLCA 19 ...* 90	353.14	10
100	KLCA 19 ...* 100	361.44	10
110	KLCA 19 ...* 110	370.29	10
120	KLCA 19 ...* 120	378.85	10

Note:

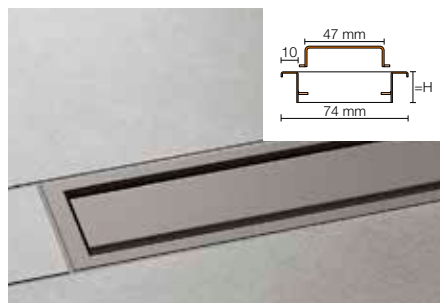
Tile pan (design C), suitable for tile thicknesses up to 15 mm

i
The full product line can be found
in the illustrated price list PS 25
on pages 218–221.

Available finishes | colours



For an overview of finishes and colours, please see page 22.

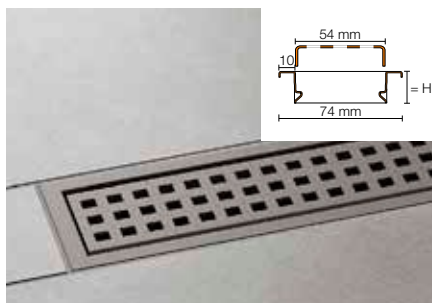
**Schlüter®-KERDI-LINE-A** ★

design SOLID, 19 mm frame,
stainless steel V4A with textured coating

L (cm)	H = 19 mm Art. No.	€ / Set	P (Set)
50	KLA 19 ...** 50	327.15	10
60	KLA 19 ...** 60	335.88	10
70	KLA 19 ...** 70	344.37	10
80	KLA 19 ...** 80	353.08	10
90	KLA 19 ...** 90	361.62	10
100	KLA 19 ...** 100	370.11	10
110	KLA 19 ...** 110	379.18	10
120	KLA 19 ...** 120	387.85	10

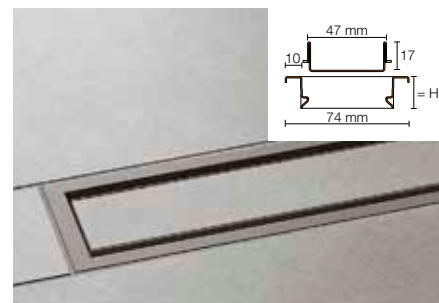
Note:

H = 19 mm for covering thicknesses 3–15 mm

**Schlüter®-KERDI-LINE-B** ★

design SQUARE, 19 mm frame,
stainless steel V4A with textured coating

L (cm)	H = 19 mm Art. No.	€ / Set	P (Set)
50	KLB 19 ...** 50	327.15	10
60	KLB 19 ...** 60	335.88	10
70	KLB 19 ...** 70	344.37	10
80	KLB 19 ...** 80	353.08	10
90	KLB 19 ...** 90	361.62	10
100	KLB 19 ...** 100	370.11	10
110	KLB 19 ...** 110	379.18	10
120	KLB 19 ...** 120	387.85	10

**Schlüter®-KERDI-LINE-C** ★

design FRAMED TILE, 19 mm frame,
stainless steel V4A with textured coating

L (cm)	H = 19 mm Art. No.	€ / Set	P (Set)
50	KLCA 19 ...** 50	327.15	10
60	KLCA 19 ...** 60	335.88	10
70	KLCA 19 ...** 70	344.37	10
80	KLCA 19 ...** 80	353.08	10
90	KLCA 19 ...** 90	361.62	10
100	KLCA 19 ...** 100	370.11	10
110	KLCA 19 ...** 110	379.18	10
120	KLCA 19 ...** 120	387.85	10

Note:

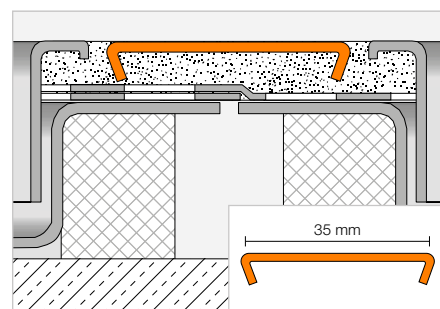
Tile pan (design C), suitable for tile
thicknesses up to 15 mm

Accessories

Schlüter®-KERDI-LINE-FC

Schlüter-KERDI-LINE-FC is a stainless steel insert for the visual connection between drain frames and grates of multiple KERDI-LINE linear drains when positioned in serial alignment, both in the contour frame and in the profile frame.

(Product data sheet 8.7)

**Schlüter®-KERDI-LINE-FC** ★

frame connector,
colour coated stainless steel V4A

Art. No.	€ / U.	P (Unit)
V / KL ...* 35	18.76	10

Schlüter®-KERDI-LINE-FC ★

frame connector,
stainless steel V4A with textured coating

Art. No.	€ / U.	P (Unit)
V / KL ...** 35	19.21	10

To complete the art. no., add the colour
(e.g. V / KL TSOB 35)

* Finishes/colours: MBW - MGS

** Finishes/colours:

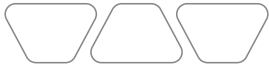
TSBG - TSC - TSDA - TSG - TSI - TSOB - TSSG

Available finishes | colours



For an overview of finishes and colours, please see page 22.





Schlüter®-KERDI-DRAIN

Horizontal drain with odour trap

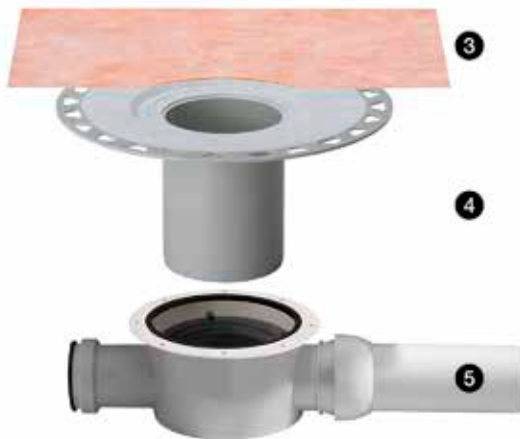
Point drainage in interior spaces

i
Now available in
TRENDLINE colours!



Grate and frame set

- ❶ powder coated stainless steel grate with frame
- ❷ height adjustment ring



Floor drain

- ❸ Schlüter-KERDI collar
- ❹ bonding flange
- ❺ drain body in screed

Note:

Order floor drain set and grate/frame set separately.

Special notes on grates



KERDI-DRAIN-BASE only:
All grates feature an odour trap and gasket seal.



All grates have a frame extension and height adjustment option. These grates have no odour trap, as the odour trap is integrated into the floor drain set.

Grate design



Design 3
SQUARE



Design 4
TILE



Design 5
FLORAL



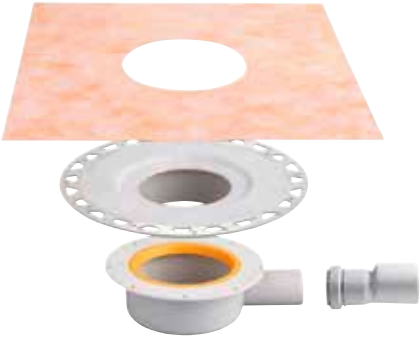
Design 6
CURVE



Design 7
PURE

DN 40/50

Drain capacity: 0.4 l/s, Min. assembly height: 75 (70) mm

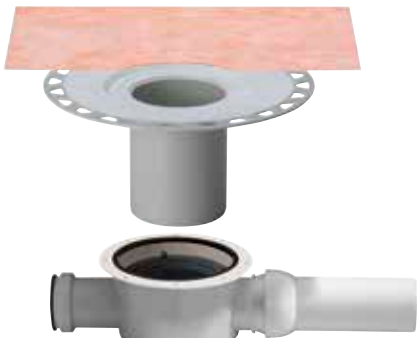
Floor drain	+	Grate and frame set with odour seal	L x B (cm)	Art. No.	€ / U.
Schlüter®-KERDI-DRAIN-BASE 		Design 3, colour coated stainless steel V2A	★ 10 x 10	KD R10 ...* D3 GV	160.50
		Design 3, stainless steel V2A with textured coating	★ 10 x 10	KD R10 ...** D3 GV	165.50
		Design 4, colour coated stainless steel V2A in MGS	★ 10 x 10	KD R10 MGS D4 GV	109.25
		Design 5, colour coated stainless steel V2A	★ 10 x 10	KD IF 10 ...* D5 GV	157.00
		Design 5, stainless steel V2A with textured coating	★ 10 x 10	KD IF 10 ...** D5 GV	162.00
		Design 6, colour coated stainless steel V2A	★ 10 x 10	KD IF 10 ...* D6 GV	157.00
		Design 6, stainless steel V2A with textured coating	★ 10 x 10	KD IF 10 ...** D6 GV	162.00
		Design 7, colour coated stainless steel V2A	★ 10 x 10	KD IF 10 ...* D7 GV	160.50
		Design 7, stainless steel V2A with textured coating	★ 10 x 10	KD IF 10 ...** D7 GV	165.50

Art. No.	€ / U.
KD BH 40	74.04

P = 10 units

DN 50

Drain capacity: 0.6 l/s, Min. assembly height: 97 mm

Floor drain	+	Grate and frame set	L x B (cm)	Art. No.	€ / U.
		Design 3, colour coated stainless steel V2A	★ 10 x 10	KD R10 ...* D3	148.50
		Design 3, stainless steel V2A with textured coating	★ 10 x 10	KD R10 ...** D3	153.50
		Design 4, colour coated stainless steel V2A in MGS	★ 10 x 10	KD R10 MGS D4	95.00
		Design 5, colour coated stainless steel V2A	★ 10 x 10	KD IF 10 ...* D5	145.00
		Design 5, stainless steel V2A with textured coating	★ 10 x 10	KD IF 10 ...** D5	150.00
		Design 6, colour coated stainless steel V2A	★ 10 x 10	KD IF 10 ...* D6	145.00
		Design 6, stainless steel V2A with textured coating	★ 10 x 10	KD IF 10 ...** D6	150.00
		Design 7, colour coated stainless steel V2A	★ 10 x 10	KD IF 10 ...* D7	148.50
	Design 7, stainless steel V2A with textured coating	★ 10 x 10	KD IF 10 ...** D7	153.50	

Art. No.	€ / U.
KD BH 50 GV	111.07

P = 10 units

To complete the art. no., add the colour (e.g. KD R10 MBW D3)

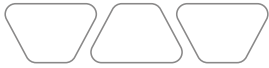
* Finishes/colours: MBW - MGS

** Finishes/colours: TSBG - TSC - TSDA - TSG - TSI - TSOB - TSSG

i
The full Schlüter-KERDI-DRAIN product line (interior) can be found in the illustrated price list PS 25 from page 237.

Available finishes | colours

For an overview of finishes and colours, please see page 22.



Schlüter®-KERDI-DRAIN

Vertical drain with odour trap

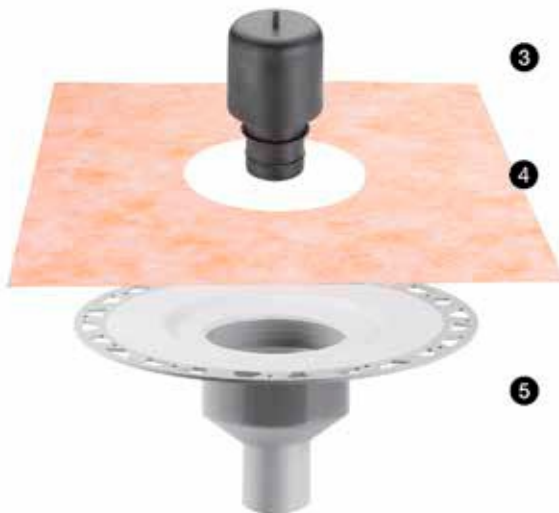
Point drainage in interior spaces

i
Now available in
TRENDLINE colours!



Grate and frame set

- ❶ powder coated stainless steel grate with frame
- ❷ height adjustment ring



Floor drain

- ❸ two-part odour trap
- ❹ Schlüter-KERDI collar
- ❺ thin-set floor drain

Note:

Order floor drain set and grate/frame set separately.

Special features of grates – odour trap in the floor drain set



All grates have a frame extension and height adjustment option. These grates have no odour trap, as the odour trap is integrated into the floor drain set.

Grate design



Design 3
SQUARE



Design 4
TILE



Design 5
FLORAL



Design 6
CURVE



Design 7
PURE

DN 50

Drain capacity: 0.6 l/s

Floor drain



+	Grate and frame set	L x B (cm)	Art. No.	€ / U.
	Design 3, colour coated stainless steel V2A	★ 10 x 10	KD R10 ...* D3	148.50
	Design 3, stainless steel V2A with textured coating	★ 10 x 10	KD R10 ...** D3	153.50
	Design 4, colour coated stainless steel V2A in MGS	★ 10 x 10	KD R10 MGS D4	95.00
	Design 5, colour coated stainless steel V2A	★ 10 x 10	KD IF 10 ...* D5	145.00
	Design 5, stainless steel V2A with textured coating	★ 10 x 10	KD IF 10 ...** D5	150.00
	Design 6, colour coated stainless steel V2A	★ 10 x 10	KD IF 10 ...* D6	145.00
	Design 6, stainless steel V2A with textured coating	★ 10 x 10	KD IF 10 ...** D6	150.00
	Design 7, colour coated stainless steel V2A	★ 10 x 10	KD IF 10 ...* D7	148.50
	Design 7, stainless steel V2A with textured coating	★ 10 x 10	KD IF 10 ...** D7	153.50

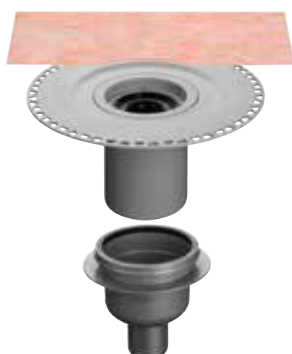
Art. No.	€ / U.
KD BV 50 GV	82.91

P = 10 units

DN 50

Drain capacity: 0.6 l/s

Floor drain



+	Grate and frame set	L x B (cm)	Art. No.	€ / U.
	Design 3, colour coated stainless steel V2A	★ 10 x 10	KD R10 ...* D3	148.50
	Design 3, stainless steel V2A with textured coating	★ 10 x 10	KD R10 ...** D3	153.50
	Design 4, colour coated stainless steel V2A in MGS	★ 10 x 10	KD R10 MGS D4	95.00
	Design 5, colour coated stainless steel V2A	★ 10 x 10	KD IF 10 ...* D5	145.00
	Design 5, stainless steel V2A with textured coating	★ 10 x 10	KD IF 10 ...** D5	150.00
	Design 6, colour coated stainless steel V2A	★ 10 x 10	KD IF 10 ...* D6	145.00
	Design 6, stainless steel V2A with textured coating	★ 10 x 10	KD IF 10 ...** D6	150.00
	Design 7, colour coated stainless steel V2A	★ 10 x 10	KD IF 10 ...* D7	148.50
	Design 7, stainless steel V2A with textured coating	★ 10 x 10	KD IF 10 ...** D7	153.50

Art. No.	€ / U.
KD BV 50 GVB	119.07

P = 10 units

To complete the art. no., add the colour (e.g. KD R10 MBW D3)

* Finishes/colours: MBW - MGS

** Finishes/colours: TSBG - TSC - TSDA - TSG - TSI - TSOB - TSSG

i
The full Schlüter-KERDI-DRAIN product line (interior) can be found in the illustrated price list PS 25 from page 237.

Available finishes | colours



For an overview of finishes and colours, please see page 22.



Schlüter®-KERDI-DRAIN

Vertical drain with odour trap

Point drainage in interior spaces

DN 50

Drain capacity: 0.6 l/s

Floor drain



+	Grate and frame set with odour seal	L x B (cm)	Art. No.	€ / U.
	Design 3, colour coated stainless steel V2A	★ 10 x 10	KD R10 ...* D3 GV	160.50
	Design 3, stainless steel V2A with textured coating	★ 10 x 10	KD R10 ...** D3 GV	165.50
	Design 4, colour coated stainless steel V2A in MGS	★ 10 x 10	KD R10 MGS D4 GV	109.25
	Design 5, colour coated stainless steel V2A	★ 10 x 10	KD IF 10 ...* D5 GV	157.00
	Design 5, stainless steel V2A with textured coating	★ 10 x 10	KD IF 10 ...** D5 GV	162.00
	Design 6, colour coated stainless steel V2A	★ 10 x 10	KD IF 10 ...* D6 GV	157.00
	Design 6, stainless steel V2A with textured coating	★ 10 x 10	KD IF 10 ...** D6 GV	162.00
	Design 7, colour coated stainless steel V2A	★ 10 x 10	KD IF 10 ...* D7 GV	160.50
	Design 7, stainless steel V2A with textured coating	★ 10 x 10	KD IF 10 ...** D7 GV	165.50

Art. No.	€ / U.
KD BV 50	62.17

P = 10 units

DN 70

Drain capacity: 0.6 l/s

Floor drain



+	Grate and frame set with odour seal	L x B (cm)	Art. No.	€ / U.
	Design 3, colour coated stainless steel V2A	★ 10 x 10	KD R10 ...* D3 GV	160.50
	Design 3, stainless steel V2A with textured coating	★ 10 x 10	KD R10 ...** D3 GV	165.50
	Design 4, colour coated stainless steel V2A in MGS	★ 10 x 10	KD R10 MGS D4 GV	109.25
	Design 5, colour coated stainless steel V2A	★ 10 x 10	KD IF 10 ...* D5 GV	157.00
	Design 5, stainless steel V2A with textured coating	★ 10 x 10	KD IF 10 ...** D5 GV	162.00
	Design 6, colour coated stainless steel V2A	★ 10 x 10	KD IF 10 ...* D6 GV	157.00
	Design 6, stainless steel V2A with textured coating	★ 10 x 10	KD IF 10 ...** D6 GV	162.00
	Design 7, colour coated stainless steel V2A	★ 10 x 10	KD IF 10 ...* D7 GV	160.50
	Design 7, stainless steel V2A with textured coating	★ 10 x 10	KD IF 10 ...** D7 GV	165.50

Art. No.	€ / U.
KD BV 70	62.17

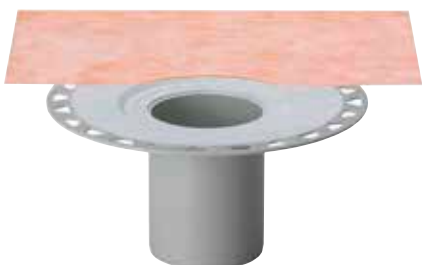
P = 10 units

i
The full Schlüter-KERDI-DRAIN product line (interior) can be found in the illustrated price list PS 25 from page 237.

DN 100

Drain capacity: 0.6 l/s

Floor drain



+	Grate and frame set with odour seal	L x B (cm)	Art. No.	€ / U.
	Design 3, colour coated stainless steel V2A	★ 10 x 10	KD R10 ...* D3 GV	160.50
	Design 3, stainless steel V2A with textured coating	★ 10 x 10	KD R10 ...** D3 GV	165.50
	Design 4, colour coated stainless steel V2A in MGS	★ 10 x 10	KD R10 MGS D4 GV	109.25
	Design 5, colour coated stainless steel V2A	★ 10 x 10	KD IF 10 ...* D5 GV	157.00
	Design 5, stainless steel V2A with textured coating	★ 10 x 10	KD IF 10 ...** D5 GV	162.00
	Design 6, colour coated stainless steel V2A	★ 10 x 10	KD IF 10 ...* D6 GV	157.00
	Design 6, stainless steel V2A with textured coating	★ 10 x 10	KD IF 10 ...** D6 GV	162.00
	Design 7, colour coated stainless steel V2A	★ 10 x 10	KD IF 10 ...* D7 GV	160.50
	Design 7, stainless steel V2A with textured coating	★ 10 x 10	KD IF 10 ...** D7 GV	165.50

Art. No.	€ / U.
KD BV 100	62.17

P = 10 units

To complete the art. no., add the colour (e.g. KD R10 MBW D3)

* Finishes/colours: MBW - MGS

** Finishes/colours: TSBG - TSC - TSDA - TSG - TSI - TSOB - TSSG

Special features of grates – odour trap in the grate and frame set



All grates feature an odour trap and gasket seal.



Grate design

Design 3
SQUAREDesign 4
TILEDesign 5
FLORALDesign 6
CURVEDesign 7
PURE

Available finishes | colours



For an overview of finishes and colours, please see page 22.



Drainage grate (without frame)

Schlüter®-KERDI-DRAIN

Grates without frames for replacement in existing installations.
(Product data sheet 8.2)



Schlüter®-KERDI-DRAIN grates

spare part: individual grates for standard frames

Description	L x B (cm)	Art. No.	€ / U.	P (Unit)
Design 3, colour coated stainless steel V2A	10 x 10	KD GR 10 ...* D3	120.00	10
Design 3, stainless steel V2A with textured coating	10 x 10	KD GR 10 ...** D3	125.00	10

Note:

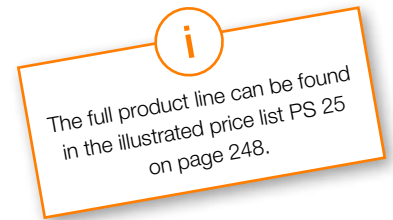
Covers are only interchangeable within the corresponding frame design.

Schlüter®-KERDI-DRAIN-STYLE grates

spare part: individual grates for contour frames

Description	L x B (cm)	Art. No.	€ / U.	P (Unit)
Design 5, colour coated stainless steel V2A	10 x 10	KD GIF 10 ...* D5	120.00	10
Design 5, stainless steel V2A with textured coating	10 x 10	KD GIF 10 ...** D5	125.00	10
Design 6, colour coated stainless steel V2A	10 x 10	KD GIF 10 ...* D6	120.00	10
Design 6, stainless steel V2A with textured coating	10 x 10	KD GIF 10 ...** D6	125.00	10
Design 7, colour coated stainless steel V2A	10 x 10	KD GIF 10 ...* D7	120.00	10
Design 7, stainless steel V2A with textured coating	10 x 10	KD GIF 10 ...** D7	125.00	10

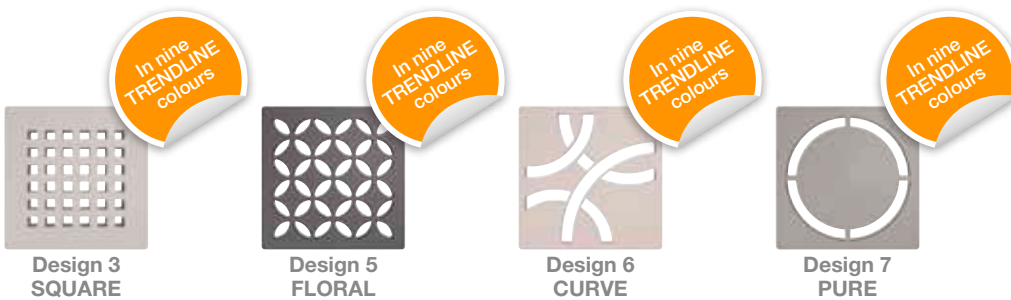
L x B (cm) corresponds to frame size



To complete the art. no., add the colour (e.g. KD GIF 10 TSI D5)

* Finishes/colours: MBW - MGS

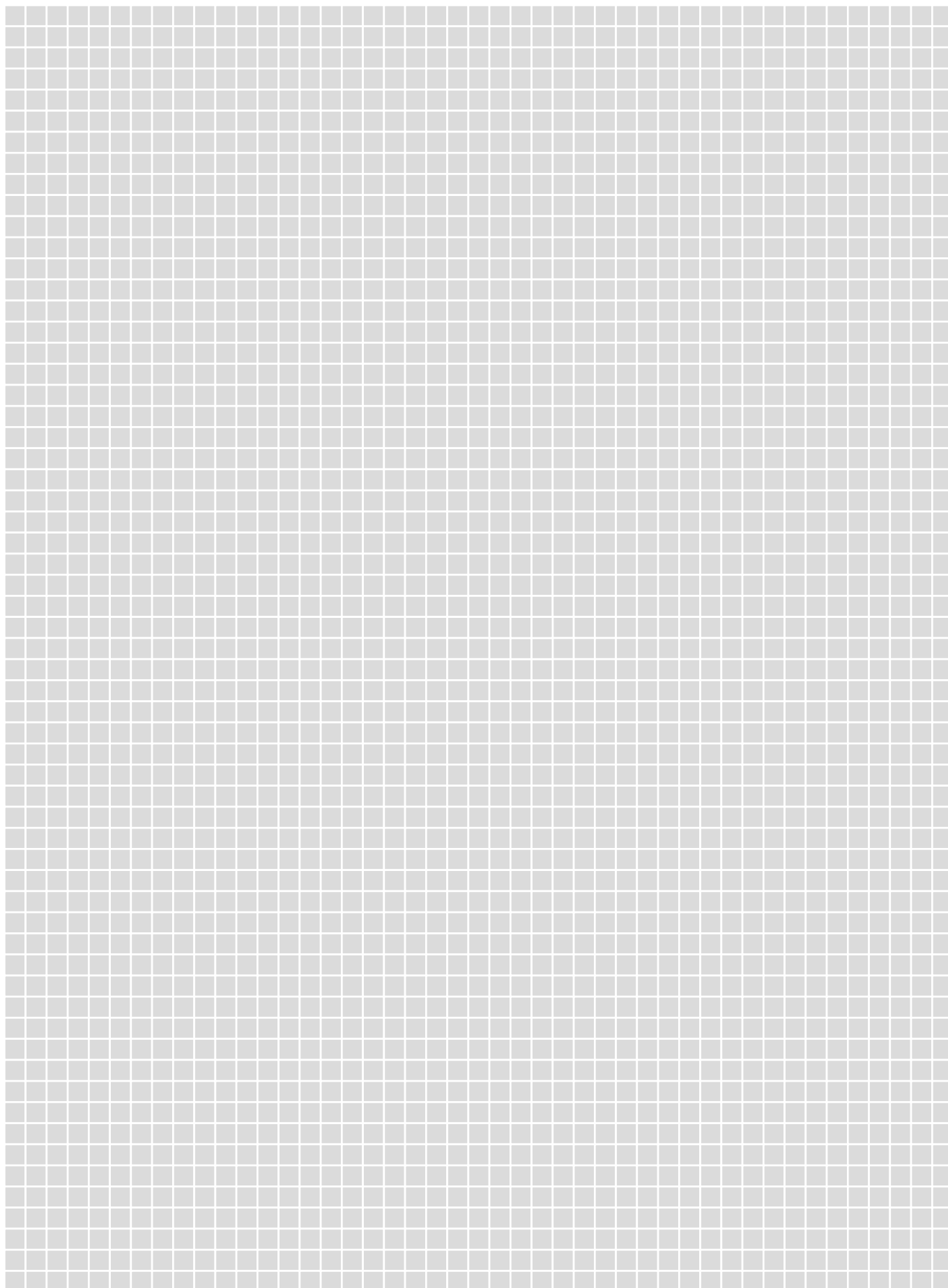
** Finishes/colours: TSBG - TSC - TSDA - TSG - TSI - TSOB - TSSG

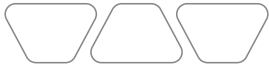


Available finishes | colours



For an overview of finishes and colours, please see page 22.





Finishes

Overview of TRENDLINE colours

Colour coated aluminium | aluminium textured coating



MBW
colour coated,
matte brilliant white



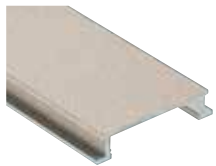
MGS
colour coated,
matte graphite black



TSI
textured natural
ivory



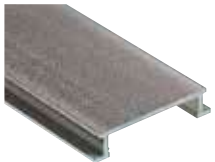
TSC
textured natural
cream



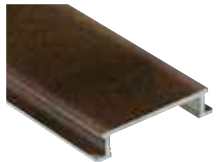
TSBG
textured natural
beige grey



TSSG
textured natural
stone grey



TSG
textured natural
grey



TSOB
textured natural
bronze



TSDA
textured natural
dark anthracite

Note:

This page displays all metal surfaces of Schlüter-DESIGNLINE profiles for an improved, standardised overview. Please refer to the specific product data to verify the actual availability of individual materials.
The print does not allow reproductions of the original colours.

Key

Innovations



New product

Packaging units

PL = euro pallet

KV = case packaging

BV = bundle

All profiles are packaged in bundles of 10,
unless specifically noted otherwise.

P = box packaging

R = roll

Unit = units

Dimensions

H = height

L = length

B = width

T = depth

Technical developments may lead to changes from the images, drawings and descriptions.

General Terms and Conditions



Subject to the General Terms and Conditions of Schlüter-Systems Ltd.
All previous price lists lose their validity on the publication of this price list. Errors, changes, and printing mistakes as well as changes necessary in the interest of product innovation or shipping reserved.
For reasons of printing, colours shown in this price list may differ from actual product colours.

You find the actual "General Terms and Conditions" of Schlüter-Systems Ltd. here:
<https://eu.schluter.com/en-GB/general-terms-and-conditions-2651.html>

Learn more online

Would you like to know more about Schlüter-Systems?
The quickest way is to visit our website.

schluter.co.uk



You can also follow us on Instagram, Facebook and YouTube.



Subject to the General Terms and Conditions of Schlüter-Systems Ltd.
Errors, changes, and printing mistakes as well as changes necessary in the interest of product innovation or shipping reserved. For reasons of printing, colours shown in this price list may differ from actual product colours.



Schlüter-Systems KG Schmölestraße 7 | D-58640 Iserlohn

+49 2371 971-0 +49 2371 971-1111 info@schlueter.de schluter-systems.com

Schlüter-Systems Ltd Units 3-6 Bardon 22 Industrial Estate | Bardon Hill | Coalville | Leicestershire | LE67 1TE

+44 (0) 1530 813396 sales@schluter.co.uk schluter.co.uk